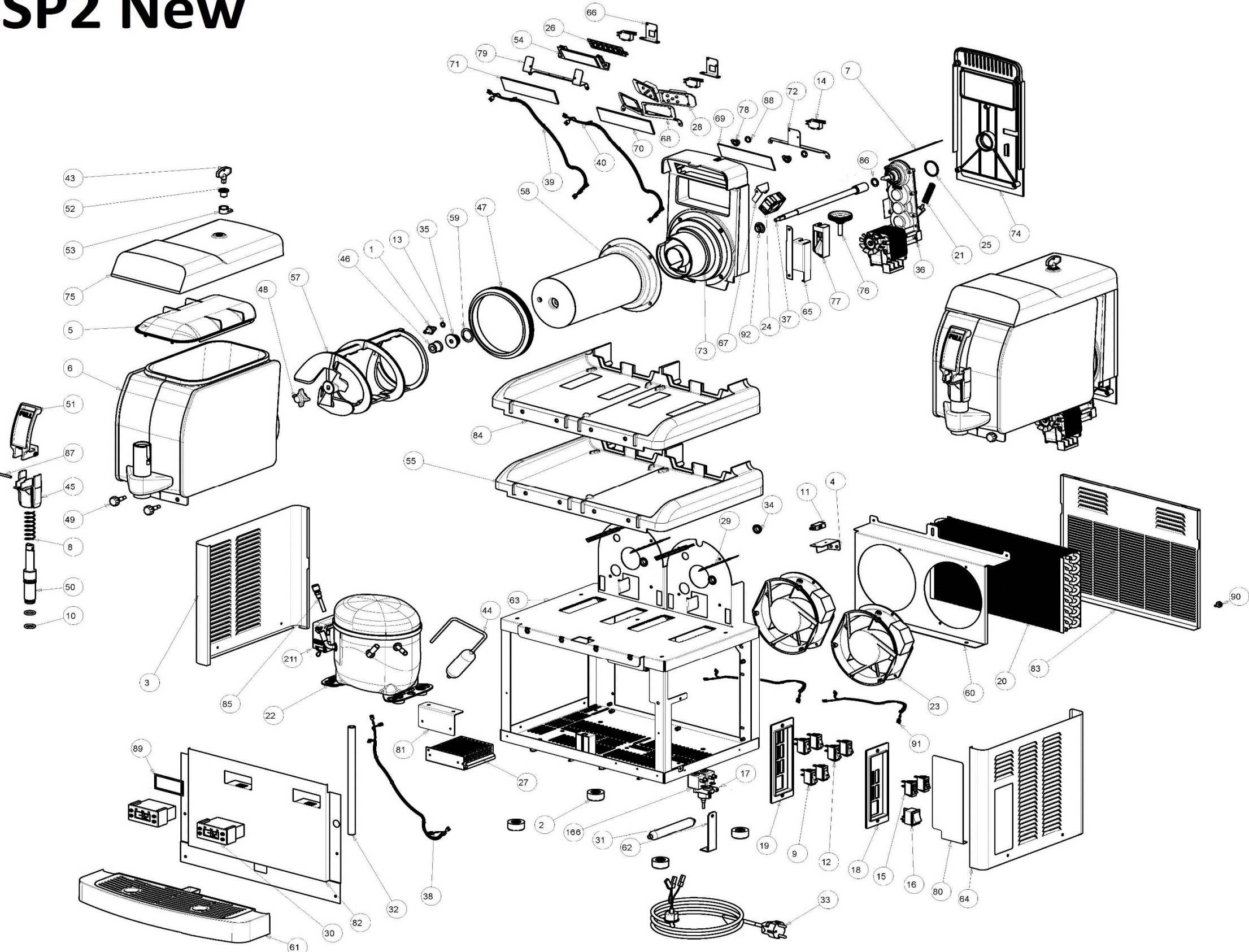


SP2 New



SPM machine PN	ELUX Internal Code	Description
01ESPBW02.000	560099	2x5 LITERS BOWL - FROZEN GRANITA AND FROZEN CREAM DISPENSER - 2 INSULATED BOWL - WHITE
01ESPLW02.000	560100	2x5 LITERS BOWL - FROZEN GRANITA AND FROZEN CREAM DISPENSER - 2 INSULATED BOWL - LED LIGHT - WHITE
01ESPUW02.000	560101	2x5 LITERS BOWL - FROZEN GRANITA AND FROZEN CREAM DISPENSER - 2 INSULATED BOWL - UV LIGHT - WHITE
01ESPBW02.0UK	560105	2x5 LITERS BOWL - FROZEN GRANITA AND FROZEN CREAM DISPENSER - 2 INSULATED BOWL - UK - WHITE
01ESPLW02.0UK	560106	2x5 LITERS BOWL - FROZEN GRANITA AND FROZEN CREAM DISPENSER - 2 INSULATED BOWL - LED LIGHT - UK - WHITE
01ESPUW02.0UK	560107	2x5 LITERS BOWL - FROZEN GRANITA AND FROZEN CREAM DISPENSER - 2 INSULATED BOWL - UV LIGHT - UK - WHITE
01CSPBB02/115	1206-037	SP2, GRANITA/CREAM, 1.32 GAL
01CSPLB02/115	1206-038	SP2, GRANITA/CREAM, 1.32 GAL, LIGHTED BOWL
01C.SPUB02/115	1206-039	SP2, GRANITA/CREAM, 1.32 GAL, LIGHTED BOWL, nUV LEDs

EXPLODED VIEW REFERENCE	ELECTROLUX SPARE PART CODE	ALIAS CODE	DESCRIZIONE	DESCRIPTION	MACHINE INT.CODE
0	OSP310	05.GC0004.001	RUBINETTO COMPLETO SP/GT BIANCO	COMPLETE WHITE TAP	ALL
0	OSPA1R	05.GC0004.BLK	RUBINETTO COMPLETO SP/GT NERO	COMPLETE BLACK TAP	CRATHCO BRAND UNITS
0	OSP708	03.BC0005.001	SACCHETTO GRANITORE	PLASTIC BAG	ALL
0	#N/D	ZZ.ZZ9999.001	CARTELLONE ELECTROLUX	ELECTROLUX PLACARD	ALL
0	OSPG1G	04.EC0016.001	FUSE PLUG MUELLER FU4B 1/4FL/4MPT FU-CPL	FUSE PLUG MUELLER FU4B 1/4FL/4MPT FU-CPL	CRATHCO BRAND UNITS
0	OSP852	04.BC0050.001	PRESSOSTATO FTB3UC37 TAR.29,7 BAR	FTB3UC37 TAR.29,7 BAR PRESSURE SWITCH	CRATHCO BRAND UNITS
0	OSP090	04.ZZ0597.001	TUBETTO PERSON. 25g. GRASSO TECNITE 332FM(NSF H1)	LUBRICANT TUBE	ALL
0	#N/D	04.ZZ0579.001	GAS R290 PROPANO	R290 GAS	ALL
0	#N/D	04.ZZ0618.001	GAS R449	R449 GAS	CRATHCO BRAND UNITS
0	#N/D	04.GT1084.001	ADESIVO PICCOLO "ISO 3864-B.3.2 pericolo incendio"	FIRE DANGER SMALL STICKER	ALL
0	#N/D	04.GT1076.001	ADESIVO GRANDE "ISO 3864-B.3.2 pericolo incendio"	FIRE DANGER BIG STICKER	ALL
0	OSPJQ8	03.SP2003.001	PALLET SP2 - GT2	SP 2 PALLET	ALL
0	OSP110	03.SP2002.001	PROTEZIONE FIANCHI SP2	SP 2 SIDE PANEL PROTECTIONS	ALL
0	OSPJQ7	03.SP2001.001	IMBALLO SP2	SP2 PACKAGING	ALL
0	OSP108	03.GT0008.001	PROTEZIONE VASCA GT2-SP2	GT2 SIDE PANEL PROTECTION	ALL
1	OSP233	02.BA0249.001	PORTA BULBO AISI 316 ICE DREAM	BULB SUPPORT	ALL
2	OSP484	02.DA0030.001	PIEDE SUPERCOLD-SP1-SD1-NINA3	LEG	ALL
3	OSP191	02.GC0006.001	FIANCO SX INOX SP1 (EX SP1-003-1L)	LEFT INOX SIDE SP1	ALL
4	OSP316	02.GC0015.001	PIASTRINO MICRO E MOTORIDUTTORE SP	PLATEN FOR SP MICROSWITCH AND GEAR MOTOR	ALL
5	OSP862	02.GT0022.01T	SOTTOCOPERCHIO TRASP. SP/GT mat.TRITAN	SP TRANSPARENT LID (TRITAN)	ALL
6	OSP863	02.GT0041.02T	VASCA COIBENTATA GT (SP) mat.TRITAN	SP INSULATED BOWL (TRITAN)	ALL
7	OSP129	04.AB0062.001	SONDA NTC 1M GOMMA TERM.IP68	TEMPERATURE PROBE	ALL
8	OSP003	04.BA0021.001	MOLLA COMP.F1,7INOX E20.5 LL75	TAP SPRING	ALL
9	OSP312	04.BA0024.001	INTERRUTT.NERO O/I UNIPOLARE 11x30 X COPERCHIO	LID SWITCH	ALL

10	OSP179	04.BA0026.TPS	OR 15,47 X 3,53 SILICONE TRASP. ALIM. FDA (4061)	15,47X3,53 SILICONE O-RING	ALL
11	OSP426	04.BA0070.001	MICROINTER.SICUREZZA IMQ OMRON	SAFETY MICROSWITCH	ALL
12	OSP478	04.BA0170.001	COMMUTATORE ON/OFF/ON 250V 16A	3 POSITIONS SWITCH	560101, 560107
13	OSP467	04.BA0199.001	OR 7 X 2 SILICONE ROSSO	O-RING	ALL
14	OSP282	04.BA0257.001	MICROINTER.SICUREZZA 515-701	SAFETY MICRO SWITCH	ALL
15	OSP085	04.BA0285.001	COMMUTATORE SP	REFRIGERATION SYSTEM SWITCH	ALL
16	OSP456	04.BB0061.001	INTERRUT.BIPOLARE NERO O/I	BLACK MAIN SWITCH	ALL
17	OSP140	04.BB0082.001	ELETTROVALVOLA 5934 BIV BOB.6 230/50-60	230/50 DOUBLE SOLENOID VALVES SET	ALL
17	OSPBM0	04.BB0082/110	ELETTROVALVOLA 5934 BIV BOB B.4 115/60 UL	115/60 DOUBLE SOLENOID VALVES SET	CRATHCO BRAND UNITS
18	OSP223	04.BB0186.WHT	SUPPORTO INTERRUTTORI 5 FORI SORBY 2 BIANCO	WHITE SWITCH SUPPORT 5 SEATS	560099, 560105
18	OSPDY	04.BB0186.001	SUPPORTO INTERRUTTORI 5 FORI SORBY 2 NERO	BLACK SWITCH SUPPORT 5 SEATS	CRATHCO BRAND UNITS
19	OSP865	04.BC0068.WHT	SUPPORTO INTERRUTTORI 7 FORI SP 3 BIANCO	WHITE SWITCH SUPPORT 7 SEATS	560100, 560106, 560101, 560107
19	OSPNA2	04.BC0068.001	SUPPORTO INTERRUTTORI 7 FORI SP 3 NERO	BLACK SWITCH SUPPORT 7 SEATS	CRATHCO BRAND UNITS
20	OSP254	04.GC0003.001	CONDENSATORE DIS.91500 SPM2	CONDENSER	ALL
21	OSP492	04.GC0006.001	MOLLA DUREZZA SP	SLUSH CONSISTENCY SPRING	ALL
22	OSP867	04.GC0154.001	COMPRESSORE NLY90LA_A CSIR V.220-240/50 1/3CV	NLY90LA COMPRESSOR	ALL
22	OSPG1B	04.BB0202.001	COMPRESSORE ML80FR CSIR V.115-127/60 1/4CV	ML80FR CSIR V.115-127/60 1/4CV COMPRESSOR	CRATHCO BRAND UNITS
23	OSP330	04.GT0001.001	VENTILATORE A2175-HBT T.GN	A2175-HBT T.GN FAN MOTOR	ALL
23	OSPDRS	04.GT0001/115	VENTILATORE A1175-HBL T.GNI55 115V-50/60HZ	A1175-HBL T.GNI55 115V-50/60HZ FAN MOTOR	CRATHCO BRAND UNITS
24	OSP868	04.HA0003.001	VENTILATORE MOD.KDE2404PKV1 DC 24V 1.2W	24V FAN MOTOR	560101, 560107
25	OSP720	04.HC0018.001	O-RING 3118 29,82 X 2,62 NBR	O-RING 29,82 X 2,62	ALL
26	OSP239	04.IP0006.002	SCHEDA LED I-PRO CABLATA	I-PRO LED LAMP WITH WIRING	560100, 560106
27	OSP869	04.MP0056.001	ALIMENTATORE LRS-75-24	FEEDER LRS-75-24	560100, 560106, 560101, 560107
28	OSP870	04.SP2002.001	SCHEDA SP1 2021 ULTRA	SP nUVA LED BOARD	560101, 560107
29	#N/D	04.SP2003.001	STRISCIA-LED-10 CABLATA	SP WIRED LED STRIP	560100, 560106, 560101, 560107
30	OSP871	04.SP2004.001	TERMOSTATO EWPLUS 902 IBRIDO V.230	EWPLUS 902 HYBRID 230V THERMOSTAT	ALL
30	#N/D	04.SP2004/115	TERMOSTATO EWPLUS 902 8(3) IBRIDO V115/60	EWPLUS 902 HYBRID 115V THERMOSTAT	CRATHCO BRAND UNITS
31	OSP217	04.ZZ0015.001	FILTRO 20 GR. F.6,1-6,1 XH9	DRIER	ALL
31	OSP848	04.ZZ0307.001	FILTRO 20GR. 2 ENTRATE	DRIER	CRATHCO BRAND UNITS
32	OSP307	04.ZZ0048.001	TUBO SILICONE 10X15 TRASP.	TRANSPARENT SILICON TUBE	ALL
33	OSP234	04.ZZ0012.001	CAVO 3X1,5 PVC N. 710 HO5VV-F	POWER CABLE	560099, 560100, 560101
33	OSP279	05.BB0003.002	CAVO UK	POWER CABLE WITH UK PLUG	560105, 560106, 560107
33	OSPFPR	04.ZZ0596.001	CAVO 3X14 AWG SPINA 15A CON MARCHIO UL E FILE	POWER CABLE WITH US 15A PLUG	CRATHCO BRAND UNITS

34	OSPG3C	04.ZZ0523.001	PASSACAPO D.15,9 SP 1,6 B 12,7	STRAIN RELIEF	ALL
35	OSP109	05.BA0150.102	BOCCOLA RULON NEW CON BOCC.IGUS + OR	RULON BUSHING	ALL
36	OSP416	05.BA0200.002	MOTORIDUTTORE H50 230/50 COMPL.	GEAR MOTOR	ALL
36	OSPA27	05.BA0201/D60	MOTORIDUTTORE H40 115/60 D COMPL.	115/60 GEAR MOTOR	CRATHCO BRAND UNITS
37	OSP435	05.GC0003.001	TRASCINAMENTO SPIRALE CORTO SP COMPLETO	SP COMPLETE SHAFT	ALL
38	#N/D	08.SP2003.001	CABLAGGIO SP2 2021 BASE 230/50	SP2 2021 MAIN HARNESS 230/50	ALL
38	#N/D	08.SP2003.115	CABLAGGIO SP2 2021 BASE 115/60	SP2 2021 MAIN HARNESS 115/60	CRATHCO BRAND UNITS
39	#N/D	08.SP2004.001	CABLAGGIO KIT SP2 LUCE/LIGHT 230/50	SP2 LIGHT HARNESS 230	560100, 560106
39	#N/D	08.SP2004.115	CABLAGGIO KIT SP2 LUCE/LIGHT 115/60	SP2 LIGHT HARNESS 115	CRATHCO BRAND UNITS
40	#N/D	08.SP2005.001	CABLAGGIO KIT SP2 ULTRA/UVA 230/50	SP2 ULTRA HARNESS 230	560101, 560107
40	#N/D	08.SP2005.115	CABLAGGIO KIT SP2 ULTRA/UVA 115/60	SP2 ULTRA HARNESS 115	CRATHCO BRAND UNITS
43	OSP491	02.BA0061.WHT	CHIAVE COPERCHIO CHIUDIBILE BIANCO	WHITE LOCKABLE LID KEY	ALL
43	OSPA1S	02.BA0061.001	CHIAVE COPERCHIO CHIUDIBILE NERO	BLACK LOCKABLE LID KEY	CRATHCO BRAND UNITS
44	OSP229	02.BB0202.001	BOILER 30X130 F.8,1 6,1-6,1	SUCTION ACCUMULATOR	ALL
45	OSP002	02.BA0002.001	SUPPORTO LEVA RUBINETTO BIANCO	WHITE TAP LEVER SUPPORT	ALL
45	OSP836	02.BA0002.01N	SUPPORTO LEVA RUBINETTO NERO	BLACK TAP LEVER SUPPORT	CRATHCO BRAND UNITS
46	OSP486	02.BA0025.001	GUARNIZIONE A VENTOSA 63SH	SUCTION GASKET	ALL
47	OSP325	02.GT1016.001	GUARNIZ.TENUTA VASCA SILIC.ROSSO D.160 SH 40/45	BOWL GASKET	ALL
48	OSP507	02.BA0034.001	POMOLO SINISTR.FISSAG.SPIRALE	AUGER FIXING KNOB	ALL
49	OSP306	02.GT0016.02W	MANOPOLA FISS. VASCA GT/SP BIANCO	WHITE BOWL FIXING KNOB	ALL
49	OSPA1B	02.GT0016.002	MANOPOLA FISS. VASCA GT/SP NERO	BLACK BOWL FIXING KNOB	CRATHCO BRAND UNITS
50	OSP465	02.GC0018.001	CORPO RUBINETTO SP/GT	SP PISTON	ALL
51	OSP437	02.GT0021.WHT	LEVA RUBINETTO GT-SP-I PRO BIANCA	GT WHITE HANDLE	ALL
51	OSPA3H	02.GT0021.001	LEVA RUBINETTO GT-SP-I PRO NERA	GT BLACK HANDLE	CRATHCO BRAND UNITS
52	OSP473	02.GT0024.WHT	SERRATURA COPERCHIO GT BIANCA	WHITE SECURITY SYSTEM BODY	ALL
52	OSPA43	02.GT0024.001	SERRATURA COPERCHIO GT NERA	BLACK SECURITY SYSTEM BODY	CRATHCO BRAND UNITS
53	OSP474	02.GT0025.WHT	GANCIO SERRATURA COP.GT BIANCO	WHITE SECURITY LEVER	ALL
53	OSPA45	02.GT0025.001	GANCIO SERRATURA COP. GT NERO	BLACK SECURITY LEVER	CRATHCO BRAND UNITS
54	OSP154	02.IP0025.001	VETRINO SUPPORTO LED I-PRO	I-PRO LED HOLDER	560100, 560106
55	OSP184	02.GT2009.WHT	RIPIANO SGOCCIOLATOIO GT2-SP2 BIANCO	GT 2 WHITE DRIP TRAY	560099, 560105
55	OSP241	02.SP2009.001	RIPIANO SGOCCIOLATOIO GT2-SP2 NERO	GT 2 BLACK DRIP TRAY	CRATHCO BRAND UNITS
57	OSP457	02.GC0009.001	SPIRALE ULTRAFORM SP SENZA ANELLE	SCRAPING AUGER	ALL
58	OSP076	05.GC0001.002	EVAPORATORE GC/GT/SP (19) SALD.LUC. COMPLETO	COMPLETE EVAPORATOR	ALL
59	OSP116	02.GC0019.001	GUARNIZIONE BOCCOLA RULON DIS.GC-019-OG	RULON BUSHING GASKET	ALL
60	OSP231	02.SP2007.001	CONVOGLIATORE SP2	CONVEYOR	ALL
61	OSP183	02.SP2014.WHT	VASCHETTA + GRIGLIA SP2-GT2 TOUCH BIANCA	WHITE DRIP TRAY AND GRILL	ALL
61	OSPBNY	02.SP2014.001	VASCHETTA + GRIGLIA SP2-GT2 TOUCH NERA	BLACK DRIP TRAY AND GRILL	CRATHCO BRAND UNITS
62	#N/D	02.SP2037.001	SUPPORTO GR. ELETTRIV. PROPANO SP2	SP2 SOLENOID VALVES SUPPORT	ALL
63	#N/D	02.GC0048.001	TELAIO SP2 UVA 2021	SP2 2021 FRAME	ALL
64	OSPF11	02.SP3002.001	FIANCO DX INOX SP3	SP3 RIGHT SIDE PANEL	ALL
65	#N/D	02.SP2031.001	SUPPORTO MOLLA SP2021	SP1 2021 SPRING BRACKET	ALL

66	#N/D	02.SP2030.001	SUPPORTO MICRO COPERCHIO 2021	SP1 2021 LID MICRO SWITCH SUPPORT	560100, 560106, 560101, 560107
67	#N/D	02.SP2029.001	SUPPORTO VENTILATORE SP1 ULTRA	LED FAN MOTOR SUPPORT	560101, 560107
68	#N/D	02.SP2028.001	SUPPORTO LED ULTRA	SP ULTRA LED SUPPORT	560101, 560107
69	#N/D	02.SP2038.001	OPALINE LED SP	SP BASE LED SEAT ENCLOSURE	560099, 560105
70	OSPNBY	02.SP2027.001	VETRINO LED ULTRA	SP ULTRA LED GLASS PROTECTION	560101, 560107
71	#N/D	02.SP2039.001	VETRINO POLICARBONATO TRASPARENTE	SP LIGHT LED PROTECTION	560100, 560106
72	#N/D	02.SP2033.001	SUPPORTO MICRO COPERCHIO BASE	SP BASE LID MICRO SWITCH HOLDER	560099, 560105
73	#N/D	02.SP2026.WHT	SUPPORTO EVAP SP1-2 2021 BIANCO	SP 2021 WHITE EVAPORATOR SUPPORT	ALL
73	#N/D	02.SP2026.001	SUPPORTO EVAP SP1- 2 2021 NERO	SP 2021 BLACK EVAPORATOR SUPPORT	CRATHCO BRAND UNITS
74	#N/D	02.SP2025.WHT	CHIUSURA SUPPORTO EVAP SP 2021 BIANCO	SP 2021 EVAPORATOR SUPPORT ENCLOSURE	ALL
74	#N/D	02.SP2025.001	CHIUSURA SUPPORTO EVAP SP 2021 NERO	SP 2021 BLACK EVAPORATOR SUPPORT ENCLOSURE	CRATHCO BRAND UNITS
75	#N/D	02.SP2024.WHT	COPERCHIO SP2021 BIANCO	SP 2021 WHITE LID	ALL
75	#N/D	02.SP2024.001	COPERCHIO SP2021 NERO	SP 2021 BLACK LID	CRATHCO BRAND UNITS
76	#N/D	02.SP2023.001	VITE REG DUREZZA SP1-2 2021 ROSSO	SP 2021 RED CONSISTENCY WHEEL	ALL
77	#N/D	02.SP2022.001	PORTA MOLLA DUREZZA SP1-2 2021 ROSSO	SP 2021 CONSISTENCY SPRING HOLDER	ALL
78	#N/D	02.SP2021.001	FERMO VETRINO SP1-2 2021	SP 2021 LIGHT PROTECTION HOLDER	ALL
79	#N/D	02.SP2020.001	SUPPORTO LED LUCE	SP LIGHT LED SUPPORT	560100, 560106
80	#N/D	02.GC0055.001	PARATIA PROPANO SP2	SP2 R290 SEPARATION BRACKET	ALL
81	OSP864	02.SP2036.001	SUPP. ALIMENTATORE 75W SP2 2021 UVA	SP2 ULTRA 24V POWER SUPPLIER BRACKET	560100, 560106, 560101, 560107
82	#N/D	02.SP2035.002	FRONTALE SP2 2021 INOX LOGO ELECTROLUX	SP2 2021 ELECTROLUX STAINLESS STEEL FRONT PANEL	ALL
82	#N/D	02.SP2035.001	FRONTALE SP2 2021 INOX	SP2 2021 STAINLESS STEEL FRONT PANEL	CRATHCO BRAND UNITS
83	#N/D	02.SP2034.001	RETRO SP2 2021 INOX	SP2 2021 STAINLESS STEEL BACK PANEL	ALL
84	#N/D	02.SP2019.WHT	RIPIANO SGOCCIOLATOIO COSTAMPATO SP2 2021 BIANCO	SP2 2021 WHITE DRIP PLATE	560100, 560106, 560101, 560107
84	#N/D	02.SP2019.001	RIPIANO SGOCCIOLATOIO COSTAMPATO SP2 2021 NERO	SP2 NEW L & U 2021 BLACK DRIP PLATE	CRATHCO BRAND UNITS
85	OSP168	04.ZZ0047.001	VALVOLA DI CARICA L.200	REFILL VALVE	ALL
86	OSP508	ZZ.RO0012.001	RALLA DI RASAMENTO 12X18X1	SCRAPING WASHER	ALL
87	OSP006	ZZ.VA0004.001	SPINETTA INOX 4X30	INOX PLUG 4X30	ALL
88	#N/D	ZZ.ZZ0510.001	O-RING OR109N70 NBR 70 Ø9.13XØ2.62	LIGHT PROTECTION HOLDER 9.13X2,62 ORING	ALL
89	OSP297	04.AB0069.001	GUARNIZIONE GU000000 X IC902	THERMOSTAT GASKET	ALL
90	OSP471	04.GT0009.001	VOLANTINO V4/12/V-M4X20	SP 2 BACK SIDE PANEL KNOB	ALL
91	#N/D	08.SP2009.001	CABLAGGIO VENTILATORE SP2 230V	SP 230V FAN MOTOR HARNESS	ALL
91	#N/D	08.SP2009.115	CABLAGGIO VENTILATORE SP2 115V	SP 115V FAN MOTOR HARNESS	CRATHCO BRAND UNITS
92	OSP502	02.BA0257.001	BOCCOLA IN BRONZO CON PIANO	BUSHING BRONZE SHAFT GUIDE	ALL
166	OSP176	04.ZZ0166.001	BOBINA 1W7 TYPE 588 X ELETT. 230/50	COIL TYPE 588 230/50-60HZ	ALL
166	OSP849	04.ZZ0177.001	BOBINA R04 RIC X ELETT. 115/60	115/60 COIL	CRATHCO BRAND UNITS
211	#N/D	05.ZZ0171.001	KIT PARTI ELETTRICHE COMPRESSORE NLY90LA_A CSIR V.220-240/50 1/3CV	NLY90LA_a COMPRESSOR ELECTRICAL PART KIT	ALL
211	OSPNLF	05.ZZ0085.001	KIT PARTI ELETTRICHE COMPRESSORE ML80FR 115/60	ML80FR 115/60 COMPRESSOR ELECTRICAL PART KIT	CRATHCO BRAND UNITS